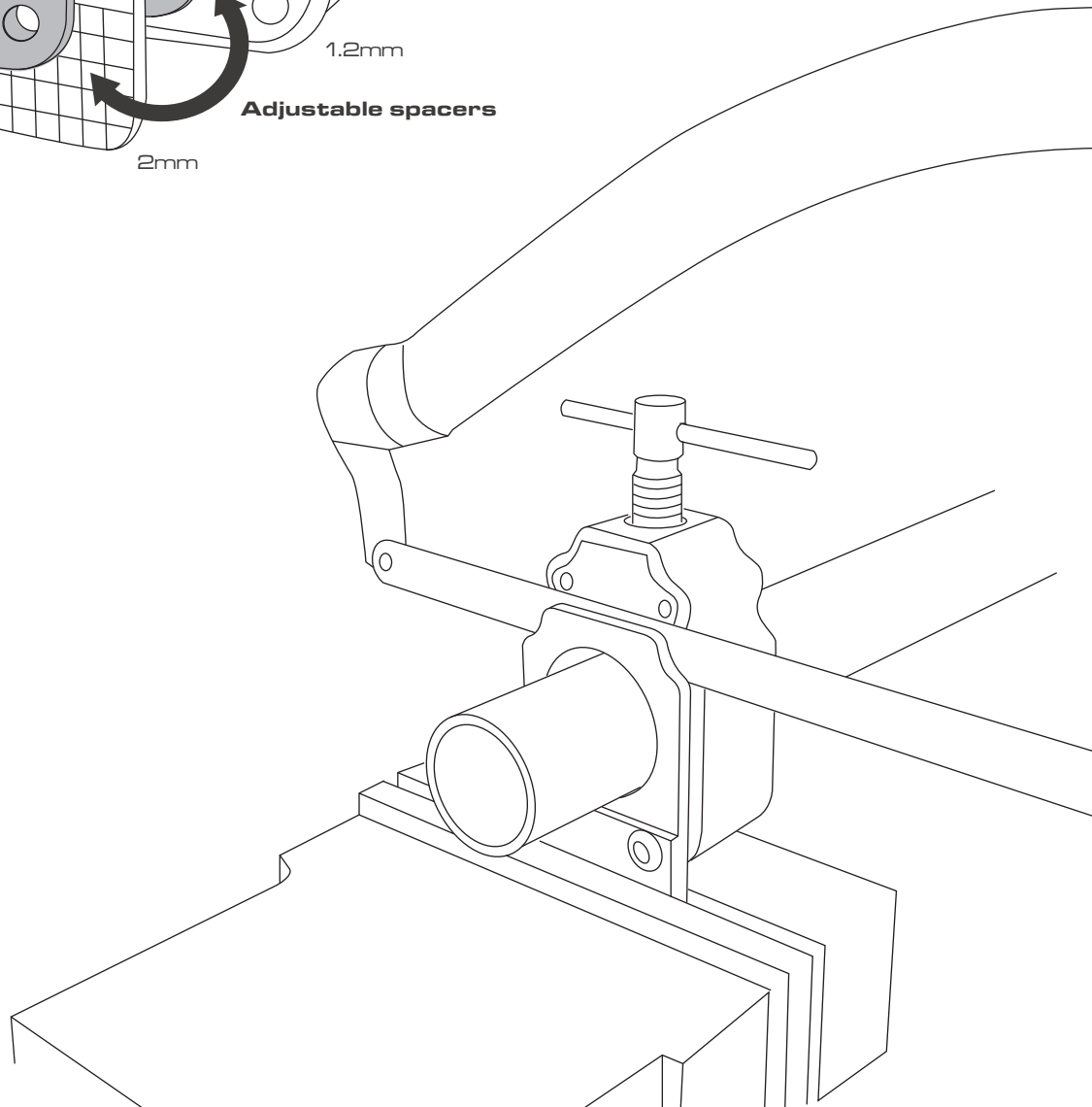
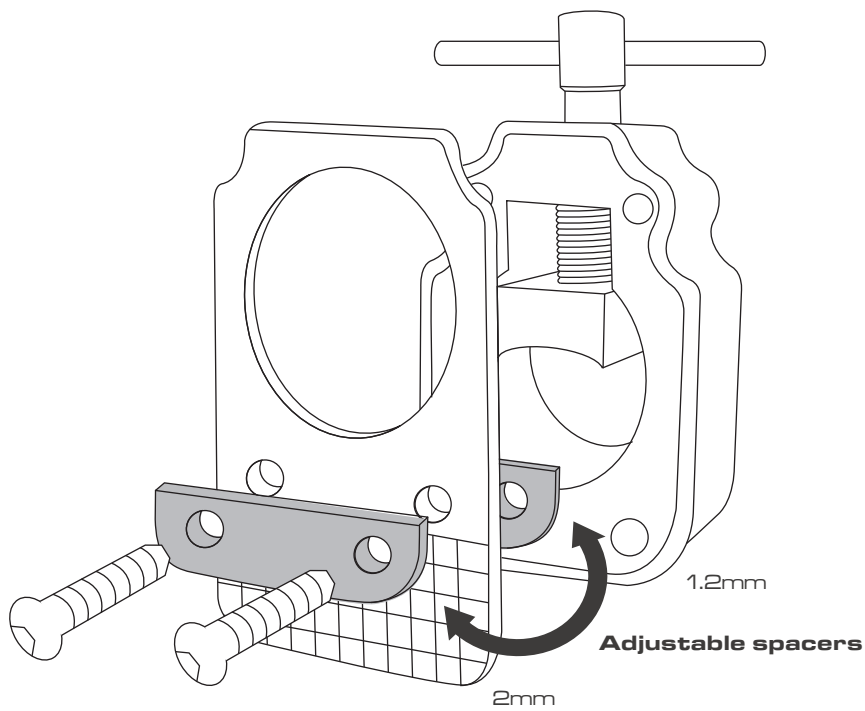


- Guides the blade to ensure a precise cut on tubes ranging from  $\text{Ø}1"$  to  $1\frac{1}{4}"$
- Adjustable spacers to accommodate both 1.2mm (steel) and 2mm (carbon) saw blades.



**Note :**

- For the proper maintenance of your tools, please apply a rust preventive oil regularly.
- All tools should be stored in a dry environment.