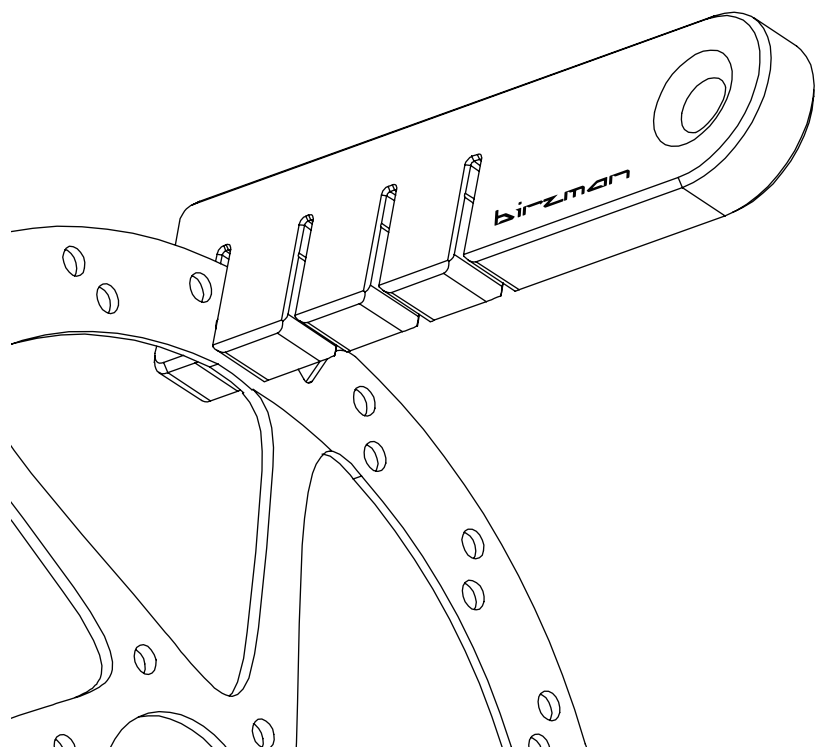


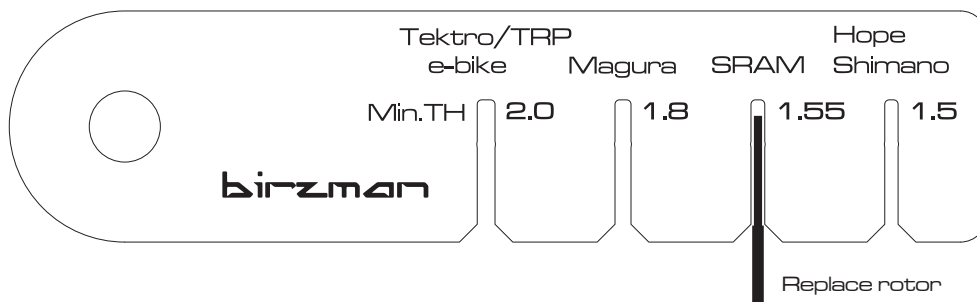
- Instantly checks the braking surface of a rotor against suggested minimum thickness for replacement.
- Features dedicated minimum thickness (Min. TH) slots for mainstream rotor brands.



Instant check of rotor wear:

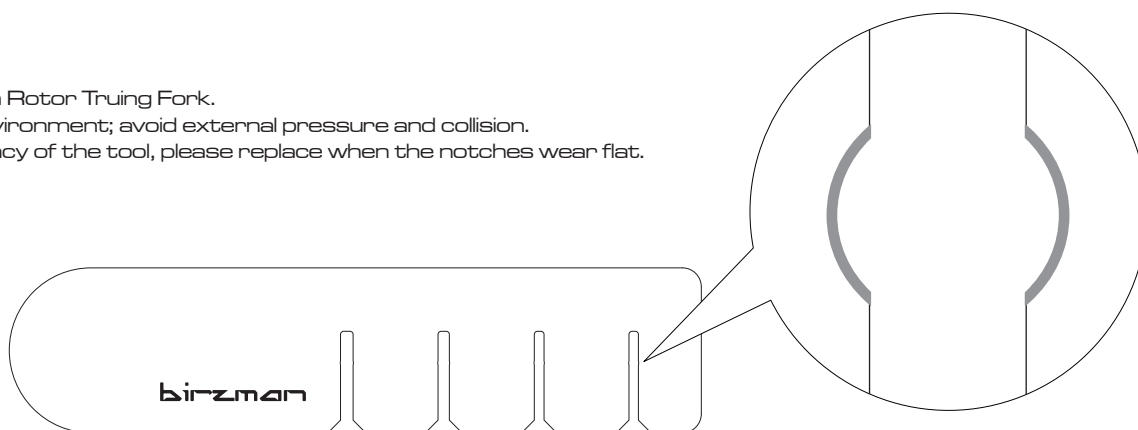
**Instructions of Use :**

- Find the corresponding brand indication mark, insert worn braking surface of rotor into the slot.
- If the rotor fits, replace with a new one.



**Note :**

- DO NOT use as a Rotor Truing Fork.
- Store in a dry environment; avoid external pressure and collision.
- To ensure accuracy of the tool, please replace when the notches wear flat.



Notches