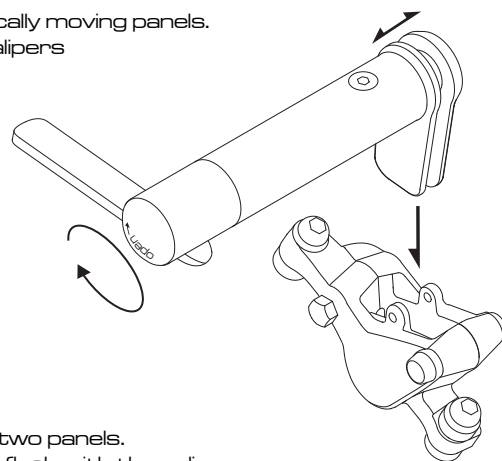
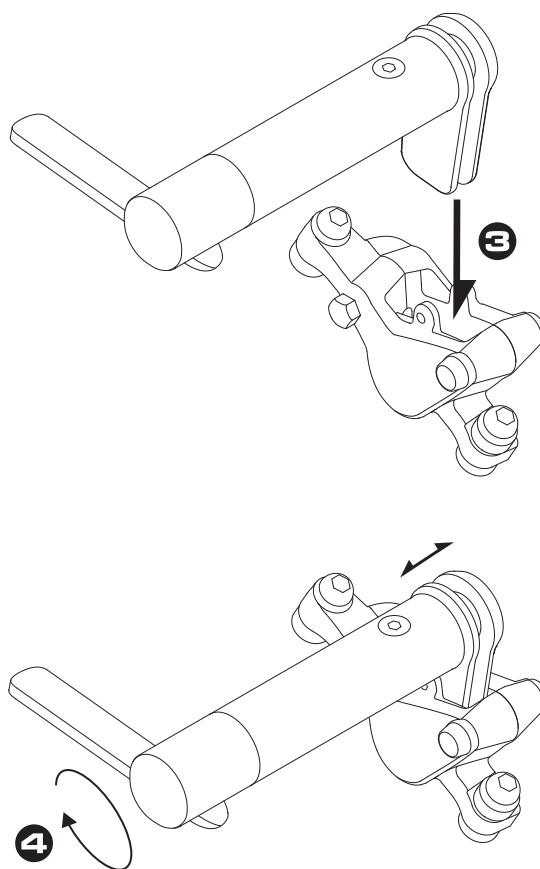
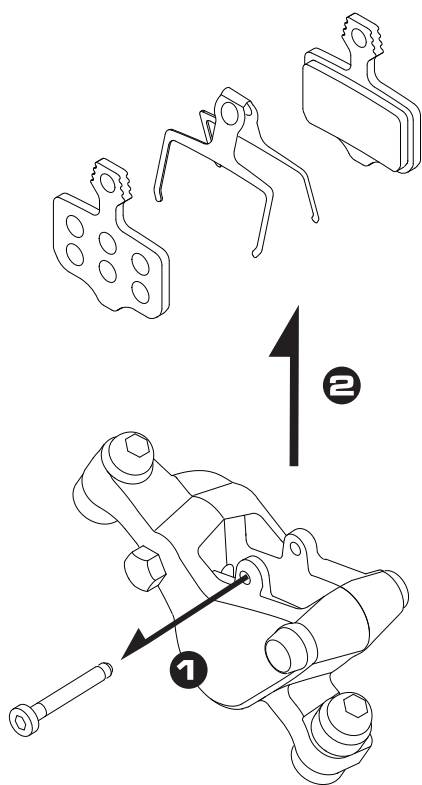


- Simultaneously presses pistons back into the caliper with parallel and symmetrically moving panels.
- The panels make way for the rotor, allowing the tool to be used on top-loading calipers (pads removed from the top) with the wheel in place.



Instructions of Use (top-loading calipers) :

- Remove brake pads, insert the tool into the caliper with the rotor between the two panels.
- Turn the handle clockwise to expand the panels and press the pistons back until flush with the caliper:



- For bottom-loading calipers (pads removed from the bottom), detach the wheel or the caliper before using the tool.

Note :

- To prevent any damage to the caliper or the tool, please DO NOT exceed the 'Max' indication, or force the pistons in place with the tool.
- Expand the panels of the tool only until flush with the caliper. Over-expanding may lead to deformations of the tool and damages of the caliper.
- Please clean around the piston and, if required, apply appropriate brake fluids before using the tool.
- Compatible with calipers with an opening of 23mm or more in width.
- For use on bicycle brake calipers only.

