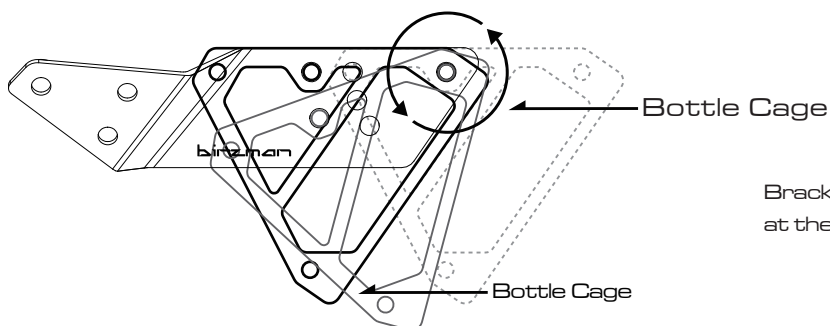


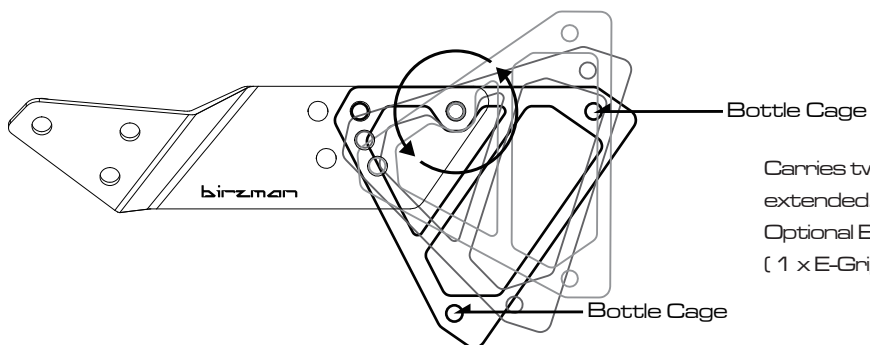
**Single or Double**  
bottle cage set up

- Adjustable rear hydration system.
- Modular structure with multiple mounting holes allows for different attachment possibilities and orientations.

- The arms mount onto the saddle rail at two adjustable angles to fit saddles of different shapes.
- Includes 9mm carbon rail mounts.



Bracket can be stowed to carry a single bottle cage at the rear end at two angles.



Carries two bottle cages on the sides at three angles when extended.  
Optional Birzman Uncage Repair Kit attachment at rear end.  
( 1 x E-Grip valve head, 2 x 16g cartridges, 1 x Velcro strap )

